

Owner's Manual

B.E.A.S.T.™

5-25 x 56 F1

34mm tube body requires the use of 34mm rings

BEAST™
BEST EXAMPLE OF ADVANCED SCOPE TECHNOLOGY



NIGHTFORCE®

2013 V1

Contents

Nomenclature and features	3
i4F™ elevation controls.....	4
Focusing the reticle	5
Parallax adjustment.....	6
DigIllum™ reticle illumination	7
Installing the riflescope	8
Leveling the reticle.....	10
Establishing a sight-in zero.....	11
Setting your ZeroStop™/M2™ Precision Elevation Lever	12
Caring for your riflescope.....	16
Warranty and service.....	17
Nightforce accessories	18
Warranty registration card	19
Owner's comments.....	20
Specifications.....	21

Record the riflescope serial number below for future reference:

WARNING!



Make sure that your rifle is not loaded before proceeding. Reconfirm that the chamber is empty if you stop the procedure then resume later.

WARNING!



Nightforce Optics, Inc. does not authorize the export of these items outside of the United States of America. Riflescopes and accessories listed within, are controlled for export by the U.S. Department of State, under the International Traffic In Arms (ITAR) regulations (22 CFR, Parts 120-130), and/or the Department of Commerce under the Bureau of Industry and Security Export Administration Regulations (15 CFR, Parts 730-774). To export these products outside of the United States of America, you must comply with the regulatory agency's license and documentation requirements.

B.E.A.S.T.™

Nomenclature and features 5-25 x 56 F1



- | | |
|-----------------------------|---|
| A: Objective Lens | I: i4F™ XtremeSpeed™ Elevation Adjustment |
| B: Eyepiece | J: i4F™ 360° Brake Control |
| C: Eyepiece Lock Ring | K: M2™ Precision Elevation Lever |
| D: Power Zoom Ring | L: Windage Zero Release |
| E: Side Parallax Adjustment | |
| F: Battery Compartment | |
| G: DigIllum™ Reticle | |
| H: Windage Adjustment | |

Register your warranty at
www.NightforceOptics.com/WarrantyRegistration



WARNING!

To avoid permanent eye damage or blindness, do not look directly at the sun or other extremely bright lights through the riflescope.

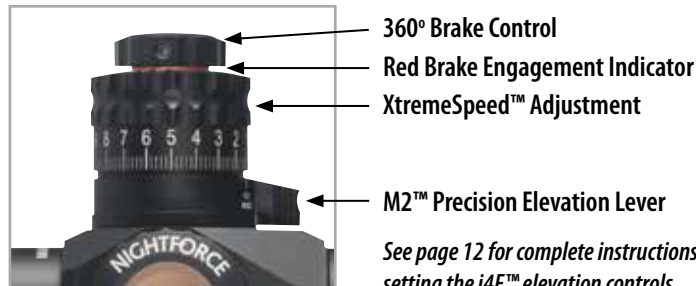
i4F™ Elevation Controls

The B.E.A.S.T.™ i4F system provides four separate functions within the elevation control: XtremeSpeed™ primary elevation adjustments; M2™ precision adjustments; 360° brake control; and ZeroStop™. See Figure 1.

XtremeSpeed™ elevation adjustment

The XtremeSpeed™ adjustment (large control) provides 120 MOA (Minutes of Angle) or 34.9 Mil-Radians of total elevation adjustment within two complete revolutions of the dial. It will give you 60 MOA/20 Mil-Radians of adjustment in a single rotation. Your riflescope will be calibrated in either MOA or Mil-Radian adjustments (see Figure 2). Both are true measurements, one MOA being 1.047" at 100 yards, and one Mil being 3.43775 MOA. The XtremeSpeed™ adjustment provides .50 MOA/.2 Mil-Radians per click. It is used for very rapid elevation adjustments covering extreme distances.

Figure 1: i4F™ Elevation Controls



- 360° Brake Control
- Red Brake Engagement Indicator
- XtremeSpeed™ Adjustment
- M2™ Precision Elevation Lever

See page 12 for complete instructions on setting the i4F™ elevation controls.

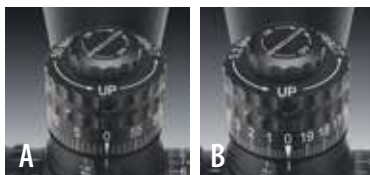


Figure 2

- A) MOA adjustments
- B) Mil-Radian adjustments

M2™ Precision Elevation Lever

Once your initial adjustments are made with the XtremeSpeed™ control, a single throw of the M2™ lever provides an additional incremental adjustment (upward only) of either .250 MOA or .1 Mil-Radian. XtremeSpeed™ and M2™ give you a combination of speed and precision unequalled in any riflescope. Please see page 14 for instructions on setting the M2™ Precision Elevation Lever.

ZeroStop™

The B.E.A.S.T.™ is equipped with the Nightforce ZeroStop™ system, allowing you to instantly return to your established zero point at any time. See page 12 for instructions on setting the ZeroStop™.

360° Brake Control

The 360° brake control prevents accidental or unintended adjustment to the XtremeSpeed™ elevation adjustment.

To engage: Rotate the 360° brake control 45° clockwise. The brake control will rise into position, exposing a red brake engagement indicator which prevents the XtremeSpeed™ elevation adjustment from moving. See Figure 1.

To disengage: Depress the 360° brake control and rotate 45° counter clockwise. This will allow adjustment of the XtremeSpeed™ elevation adjustment.

Windage Adjustment

The windage adjustment on the B.E.A.S.T.™ is calibrated in .250 MOA or .1 Mil-Radian increments. The Windage Limiter allows one-half revolution of adjustment in either direction from the center zero position and prevents over-travel of the windage adjustment. The Windage Zero Release prevents accidental or unintended adjustment to the windage adjustment.

Windage travel is approximately 30 MOA/12 Mil-Radians in one turn, respective to model.

Focusing the Reticle

There are two user-adjustable optical settings on Nightforce B.E.A.S.T.™ riflescopes: the reticle focus and the parallax adjustment. The reticle focus is used for setting the reticle focus to match your particular vision. It should not be used to try to focus for parallax. If you plan to wear vision correction when shooting, then set this focus while wearing your corrective lenses. The reticle focus should be set before setting the parallax adjustment. If the reticle focus is inadvertently set to the extreme ends of travel it can adversely effect parallax. Record the number of turns you have made on the eyepiece from the original factory setting so you can return to it if needed.

Note: All Nightforce riflescopes are factory set for average eye strength, so this adjustment may not be necessary.



Figure 3: Reticle Focus

Grasp the eyepiece with one hand and the locking ring with the other and rotate the eyepiece counter-clockwise, turning it away from the lock-ring while holding the lock-ring, power zoom ring and the riflescope to keep them from turning with the eyepiece. Several turns of the eyepiece may be necessary to achieve any measurable difference. To achieve an out-of-focus starting point for your vision, you may need to turn the lock-ring several turns inward first, then turn the eyepiece inward as

Reticle Focus Adjustment

Grasp the eyepiece with one hand and the locking ring with the other and rotate the eyepiece counter-clockwise, turning it away from the lock-ring while holding the lock-ring, power zoom ring and the riflescope to keep them from turning with the eyepiece. Several turns

needed to achieve an out-of-focus position.

1. Set the power zoom ring at the highest magnification.
2. On riflescopes with parallax adjustment, set it to the infinity setting [∞].
3. Look through the riflescope eyepiece at a light colored background such as a white wall, overcast sky, or drape a thin white cloth over the objective to eliminate background clutter. Determine if the reticle is clear and in focus instantly when you look through the eyepiece. Be aware that staring at the reticle for more than two seconds during this process will cause your eye to compensate, resulting in a false indication of reticle focus. Look away for a few seconds then retry for best results. You are looking for a sharp, crisp and well defined reticle image.
4. If adjustment is necessary, follow the steps outlined here. Due to the way the human eye focuses, best results are usually obtained by turning the eyepiece inward until the reticle is slightly blurred then moving it outward until sharp focus is obtained. Refer to Figure 3.

Once the desired reticle focus is achieved, lock the eyepiece in place by turning the lock-ring into firm contact with the eyepiece while holding the eyepiece in position. Tighten the lock-ring against the eyepiece so that the eyepiece, lock ring and power zoom ring move as a single unit.

If the reticle tends to fade in and out of focus, or you are experiencing eye strain with extended shooting sessions, that is an indicator that the reticle is not properly focused for your eye.

Parallax Adjustment



Figure 4:
Parallax Adjustment

Nightforce B.E.A.S.T.™ riflescopes have a parallax adjustment mechanism. Parallax is the apparent movement of the reticle in relation to the target as the shooter moves his eye across the exit pupil of the riflescope, caused by the target and the reticle being on different focal planes. While keeping the rifle still and looking through the riflescope, a nod of the head up and down will quickly determine if parallax is present. If parallax has been eliminated, the reticle will remain stationary in relation to the target regardless of eye placement.

Note: The greater the distance, the greater the parallax error becomes. Especially at longer distances, significant sighting error can result if parallax is not removed.

The B.E.A.S.T.™ has a side parallax adjustment found on the left side of the riflescope, directly opposite the windage adjustment. The parallax adjustment also incorporates the reticle illumination switch—a push button on the outer face of the adjustment.

Digillum™ Reticle Illumination



Figure 5:
Digillum™ Illumination control

Nightforce B.E.A.S.T.™ riflescopes feature Digillum™ digital illumination, including both red and green options as well as night vision compatibility. See Figure 5.

Turning the illumination on and off

To turn on your Digillum™ illuminated reticle, simply press and release the illumination control located on the center of the side parallax adjustment. The reticle will illuminate to the last intensity and color setting. To turn your Digillum™ illuminated reticle off, press and hold the illumination control for 1-3 seconds.

Adjusting illumination intensity (brightness)

Once turned on, by repeatedly pressing and releasing the illumination control you will change the intensity of the reticle. There are multiple intensity levels in the standard illumination mode. When the illumination reaches its minimum or maximum intensity, the reticle will flash three times. After reaching the minimum or maximum intensity, continuously pressing and releasing the illumination control will either increase or decrease the intensity away from the respective setting.

Selecting the reticle color

The Digillum™ illuminated reticle allows the user to choose between red or green reticle illumination. While looking at the reticle, depress and hold the Digillum™ button until the reticle changes color; then release the button.

Entering night vision compatibility mode

Night vision compatibility mode is available in green illumination only. The night vision compatible settings are not visible to the naked eye and can only be seen when viewed through a night vision device mounted to the rear of the optic. There are multiple night vision compatible illumination intensity settings to choose from. Press and hold the illumination control for eight seconds, then release to activate the night vision compatible illumination settings.

Exiting night vision compatibility mode

By pressing the illumination control for eight seconds then releasing, the illumination will return to the last used intensity level in red.

Auto shutoff

Illumination will automatically turn off after 60 minutes. If the button is inadvertently pressed and held for 60 minutes, it will also shut off.

Low battery indication

If battery voltages reaches 2.5V or less, the LED flashes two times every three seconds.



Figure 6:
Battery Replacement

Battery life

Approximately 29 hours at maximum intensity, 350 hours at minimum intensity.

Battery replacement

Unscrew the illumination control cover (see Figure 6) and replace with Energizer® CR2032 or equivalent. Install battery with positive (+) side up.



WARNING!

Make sure that your rifle is unloaded prior to installing any Nightforce riflescope or accessory. Recheck the chamber if you stop the procedure and resume later.

Installing the Riflescope

FAILURE TO PROPERLY INSTALL THE RIFLESCOPE MAY CAUSE EQUIPMENT AND/OR PERSONAL DAMAGE WHICH CAN RESULT IN EQUIPMENT FAILURE OR DEATH RESPECTIVELY.

Note: Please take time to record your serial number on the inside front cover of this booklet. It can then be easily referenced for your online Warranty Registration. Once the scope has been installed, you may not be able to read the serial number, as your rings/mounts may cover it.

Nightforce Torque Specifications

- Base and Direct Mount™ attachment screws - 25 inch pounds
- Ring top screws - 25 inch pounds
- Ring crossbolt nut - 4-screw design, 68 inch pounds; 6-screw design, 100 inch pounds
- Unimount™, Extended Unimount™ and MagMount™ crossbolt nut - 68 inch pounds



WARNING!

With hard-recoiling rifles, serious injury or even death can result from eyepiece impact with the shooter during the recoil process when discharging the firearm. Be certain that your installation provides sufficient eye relief for the recoil generated by your rifle before shooting the firearm. NOTE: Give special attention to this warning when shooting uphill and/or from a prone position. These shooting conditions can dramatically reduce eye relief. PLEASE maintain maximum eye relief when shooting heavy recoiling and/or magnum firearms.

Ring and Base Selection

Your riflescope and rifle are only as good as the link between them. The mounting of your riflescope is as important as the bedding of the rifle's action to the stock. To ensure the highest level of performance, the following steps in the mounting procedure must be followed as described.

We recommend Nightforce bases, along with Nightforce 34mm rings and one-piece mounts for a solid and precise installation. Please use the following guidelines to select the proper mounting solutions for your rifle.

- A high quality ring and base combination using a 1913 Mil. Std. type rail is recommended for field use and/or high-recoil applications. Nightforce 34mm rings, bases, Unimount™ and MagMount™ are ideal for virtually all applications.

- Under no circumstances do we recommend the use of turn-in style rotary/dovetail-type ring and base designs, especially those equipped with windage adjustment.
- If we do not offer a ring/base combination that is compatible with your firearm, please consider using Talley Mfg. or Warne products.

Mount Installation

Note: Do NOT lap the Nightforce Unimount™, Extended Unimount™, Direct Mount™, MagMount™ or Ultralite™ rings. Lapping is not necessary with these Nightforce accessories. Lapping these products will void the Nightforce accessory warranty and may lead to slipping and/or crushing of the Nightforce riflescope main tube. Other manufacturer's ring/base combinations may or may not require lapping.

Attaching the Base to the Action

Once you have determined that the base-to-action mating is acceptable, install the base to the action, torquing the mounting screws to the manufacturer's specifications.

Attaching Rings to Base

Clean/degrease the inside of the rings and then clean the outside of the scope tube before installing in the rings.

Install the rings on the base per the manufacturer's specifications using the

proper torque on the locking mechanism. Avoid positioning the rings where they will make contact with the adjustment assembly, the objective bell section, or the power zoom ring on the riflescope body. Apply forward pressure to the ring while tightening it in place to keep the cross bolt on the ring in firm contact with the forward surface of the cross slot in the base.

With Nightforce rings and one-piece bases you should not lap the rings. With other brands lapping may be required. If the scope lays into the rings stress-free, there is no need to lap the rings. If required, we recommend lapping be done by a qualified technician or gunsmith. Do not overlap the rings. Damage to the scope from improper lapping/installation is not covered by the warranty.

Mounting the Riflescope

1. For initial fitting of the riflescope to the rifle, set the Nightforce riflescope to the highest magnification. Place the riflescope in the lower portion of the rings as far forward as possible. Install both ring tops. Tighten ring top screws with just enough tension to hold the riflescope where positioned, while still allowing smooth movement fore and aft and rotationally.
2. Hold the rifle in your normal shooting position with the riflescope positioned fully forward in the rings, preferably while adjusted to maximum magnification. Place your head as far forward on the stock as you might position it in field use. Slowly move the riflescope back just to the point where the full field of view is obtained. It is recommended to mount the

riflescope at this position with as much eye relief as possible (3.5"–4") or slightly forward to ensure maximum eye relief. See Figure 7.

Note: Please see warning on page 8 regarding sufficient eye relief. Eye relief will change with the thickness of the clothing you wear and may need to be readjusted.

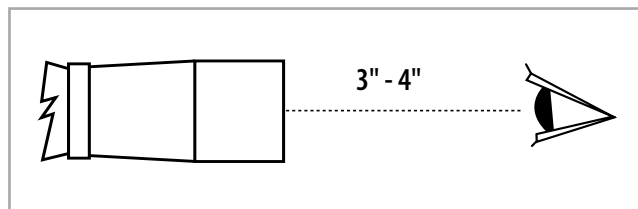


Figure 7: Eye relief

Leveling the Reticle

For precision shooting, the reticle and the rifle need to be squared, or plumb, to each other. Any out-of-square condition can cause sighting errors that will be magnified even more at longer distances.

The reticle in all Nightforce scopes is confirmed plumb with the flat surface on the bottom of the adjustment saddle. See Figure 8. You can use pin gauges, a sliding sine bar or flat shims to align the flat surface with the top of the scope rail. To level the reticle using a plumb line, follow the three steps that follow.

1. Level the rifle on a steady rest such as sandbags or a stable shooting rest. This can be accomplished with a bubble level attached to the riflescope base, or on a flat section of the action.
2. Use a plumb line or some other known plumb vertical line at a distance from the rifle where you can see it clearly through the riflescope. A distance of 100 yards is recommended, but good results can often be obtained as close as 50 yards.
3. Center the reticle on the plumb line and rotate the riflescope in the rings until the vertical line of the reticle is parallel with the plumb line. Recheck the rifle level and adjust the reticle position as needed. When the rifle and the reticle is plumb, tighten all ring top screws evenly until the riflescope is secure in the rings. Recheck that the rifle has remained level and that the reticle is plumb one more time, adjust as needed, then torque the screws to the recommended torque settings. Your Nightforce riflescope is now properly mounted.

Figure 8

These two surfaces should be parallel to each other



Establishing a Sight-in Zero

A quick way to get your first shot on target with a new installation is to first bore sight the riflescope. A simple yet reliable method is by looking through the bore at a round, high contrast target, approximately 5"– 6" in diameter, that can be seen clearly with the naked eye at either 25, 50 or 100 yards/meters, yet is small enough to "float" in the center of the rifle bore when viewed through the opened action. This can save you time and ammunition.

1. Ensure that the rifle is unloaded and the chamber is empty. Remove the bolt, place the rifle on a steady rest and adjust the riflescope to be parallax-free for the distance to the target. See the Parallax Adjustment section on page 5.
2. Looking through the bore from the action end, center the round target downrange so that it is floating in the center of the bore, then adjust the elevation and windage adjustments until the reticle is centered on the target while the target is still centered in the bore. See Figure 9.
3. If you feel confident in the bore sighting, proceed to live firing at 25, 50 or 100 yards/meters. To aid in the sight-in process, be sure your sight-in target is large in size, and offers a contrasting color (i.e., white). After confirming point of impact, proceed to step four. Note: if you

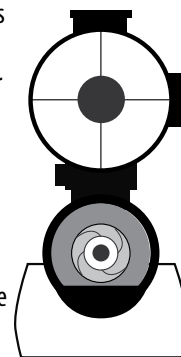


Figure 9

have sighted in at 25 yards/meters, you will need to move the adjustments four times more than you would with a 100 yard/meter sight-in. If you sighted in at 50 yards/meters, you will need to move the adjustments two times more than you would with a 100 yard/meter sight-in. If the first shot isn't on target, recheck your bore sighting and/or move to a 25 yard/meter sight-in distance.

4. Without changing the adjustments, move the rifle to center the reticle on the target. Carefully turn the windage and elevation adjustments, without moving the rifle, until the reticle is aligned on the center of the bullet hole from that first shot on the target.

i4F™ Elevation Control final sight-in procedure

1. Move to your preferred sight-in distance (100 yd., 200 yd., 100 m, etc.)
2. Use the large XtremeSpeed™ elevation dial (see Figure 1) to adjust bullet impact to within 1/2 MOA or .2 Mil-Radian below the center of the target.
3. Use the M2™ Precision Elevation Lever to fine tune the bullet impact for the last 1/4 MOA or .1 Mil-Radian needed for the point of impact to equal the point of aim.
4. The M2™ Precision Elevation Lever should not be adjusted upward beyond 2.5 MOA or .8 Mil-Radian of total internal travel via repeated zeroing. See Figures 21 and 22 for detailed instructions.

Note: It is highly recommended that you record in this instruction manual the number of times the M2™ lever is adjusted during sight-in. This will ensure that it can be returned to original factory settings if necessary.

The B.E.A.S.T.[™] 5-25x56 ZeroStop[™] elevation adjustment allows for the full use of the elevation travel above your established zero for longer target engagement distances, while still allowing for a definitive position to return to your zero, regardless of the conditions. Note: The O-rings inside the turret assembly and under the turret set screw must remain in place and must be lubricated in order to maintain the waterproof integrity of the riflescope. Take precaution to insure that this area remains free of dirt and debris.

1. Use the elevation and windage adjustments to zero the riflescope at your desired range. If the ZeroStop[™] engages during your sight-in, and you require additional travel below the ZeroStop[™], reference *How to disengage your ZeroStop[™]* on page 13.

2. Remove the 360° brake control knob by loosening the set screw one full turn counter-clockwise, remove and set it to the side. See Figure 10.

3. Remove the elevation dial by loosening each of the opposing set screws one full turn counter-clockwise, remove and place face up on a clean dry surface. See Figure 11.



Figure 10



Figure 11



Figure 12



Figure 13



Figure 14

4. Loosen the single screw on the ZeroStop[™] clutch assembly one turn counter-clockwise. This will allow the clutch face to rotate freely by hand. You should not feel any clicks when making this adjustment. If you do, the set screw is still too tight and you may need to re-zero your optic. See Figure 12. NOTE: DO NOT COMPLETELY UNTHREAD THE UPPER CLUTCH FACE FROM THE MAIN SCREW.

5. Rotate the clutch assembly clockwise or downward until the upper clutch face meets the opposing lower clutch face. Now retighten the single screw in the clutch to four inch pounds. In absence of a calibrated torque tool, hold the short end of the Allen wrench in between your thumb and forefinger to turn the wrench, and tighten the screw until resistance is felt. See Figures 13 and 14.



Figure 15



Figure 16

6. Reinstall the elevation dial and align the "0" on the adjustment scale with the fixed reference mark on the riflescope body. With downward pressure applied, tighten the opposing set screws on the elevation dial to four inch pounds. See Figure 15.

7. Now reinstall the 360° brake control knob and tighten the set screw to four inch pounds. The 360° brake control dial does not require any special indexing. See Figure 16.

8. Your ZeroStop[™] is now set. You are now able to dial your elevation and return to zero by feeling a solid and definitive stopping point.



Figure 17



Figure 18

How to disengage your ZeroStop[™]:

Your ZeroStop[™] allows for rapid changes to your elevation adjustment while providing a definitive position that will allow you to return to your zero, regardless of the conditions. However, additional adjustment is occasionally required below your ZeroStop[™] engagement; for instance when changing ammunition, using a suppressor or switching rifles. Please follow the instructions below for disengaging your ZeroStop[™] to allow for additional adjustment.

1. Remove the elevation dial by first removing the 360° brake control knob by loosening the set screw one full turn counter-clockwise. Remove the knob and set it to the side, taking care to keep it clean. See Figure 17. You can now remove the elevation dial in the same fashion. Loosen the two opposing screws approximately one turn per screw, remove and place the dial facing up on a clean, dry surface. See Figure 18.

2. Loosen the single screw on the elevation ZeroStop[™] clutch assembly one turn. This will allow the clutch face to rotate freely by hand.

For video instruction on setting adjustments on Nightforce scopes with ZeroStop[™], visit www.NightforceOptics.com



Figure 19



Figure 20

Clutch assembly

3. Rotate the upper clutch face (Figure 19) one to three full revolutions counter-clockwise, without unthreading the upper clutch face (Figure 20), and retighten the single screw in the clutch assembly to four inch pounds. **NOTE: DO NOT COMPLETELY UNTHREAD THE UPPER CLUTCH FACE FROM THE MAIN SCREW.** Factory Service is required for proper reinstallation if this happens. Reinstall the cap and index to zero as described on page 13, steps 6, 7 and 8.



Figure 21



Figure 22

1. Loosen the single screw located in the center of the M2™ Precision Elevation Lever 1¼ turns counter-clockwise. (Figure 21) and slide the M2™ Precision Elevation Lever so that it aligns with the fixed reference mark on the riflescope body. See Figure 22.

2. Retighten the single screw to four inch pounds. See Figure 21.

NOTE: There is a finite amount of total travel that the M2™ Precision Elevation Lever will allow within the riflescope (2.5 MOA or .8 Mil-Radian, relative to model).

If maximum travel is reached due to repeated resetting of the M2™, you may have to reset the adjustment range of the M2™ Precision Elevation Lever. Simply reverse the above procedure to retrieve the adjustment needed.

Setting your M2™ Precision Elevation Lever to zero:

The M2™ Precision Elevation Lever allows for an intermediate adjustment and is separate from the XtremeSpeed™ elevation control. This adjustment provides an additional incremental adjustment of .25MOA or .10 Mil-Radian of travel for a more precise shot placement. When establishing your initial zero, the M2™ Precision Elevation Lever is capable of being reset to the “0” position if the adjustment is required during your sight-in by utilizing the following instructions:

Setting your Windage dial to zero:

The Windage Zero Release prevents accidental or unintended adjustment to the windage adjustment. The Windage Limiter™ allows approximately



Figure 23

½ revolution in either direction from the center zero position. To zero the windage adjustment:

1. Loosen the set screw one turn on the windage adjustment and the dial should rotate freely. See Figure 23.

NOTE: You should not feel any clicks when adjusting the dial at this point.



Figure 24

2. While applying inward pressure to the dial, re-index to zero (Figure 24) and then retighten the setscrew to four inch pounds. See Figure 25.

NOTE: The Windage Zero Release is designed to work at the center “0” position of the windage adjustment. When re-indexing the cap to “0”, it may be necessary to install the cap aligned off of “0”, and then rotate it to zero for the Windage Zero Release to properly engage.



Figure 25

If you need additional travel beyond the Windage Limiter™:

1. Loosen the set screw one turn on the windage adjustment and the dial should rotate freely. You should not feel any clicks when adjusting the dial at this point.
2. Rotate the cap in the opposite direction of your desired adjustment, up to one full rotation as needed.
3. While applying inward pressure to the dial, retighten the setscrew to four inch pounds. This will allow another full rotation of travel if required.
4. When finished, follow the *Setting your Windage dial to zero* instructions.

Your windage adjustment is now ready for use. If you change your load, you may need to go through the zeroing process again to adjust for the new trajectory.

An example of needing additional windage adjustment:

When sighting in your riflescope, you need eight Mils of windage left. Rotate the windage for the maximum travel allowed (approximately 5.8 to 6 Mils depending on riflescope), then following the instructions above, rotate the loosened adjustment back another 3 to 4 Mils and tighten the screw. From here, you will be able to add the remaining windage for sight-in and possibly have remaining travel for further adjustment. Once the zero is established, follow the *Setting your Windage dial to zero* instructions.

For video instructions on setting the elevation ZeroStop™ or Windage Limiter™ adjustments, please visit www.NightforceOptics.com

Caring for Your Riflescope

With proper care your Nightforce riflescope will give you many years of dependable service. Be sure to use your lens covers whenever you are not using your riflescope.

Cleaning the Riflescope Exterior

Clean the riflescope body with a clean cloth lightly moistened with clean water or alcohol. Do not use strong solvents. While cleaning your rifle, be sure to protect your riflescope's lenses by installing the covers that came with the riflescope (or equivalent covers). Ammonia-based bore solvents can destroy the coating on the glass. Avoid spilling gun cleaning solvents anywhere on the riflescope.

In the event of submersion in mud, sand, dirty or salt water, flush the outside of the riflescope with clean water to remove encrusted material and salt. If your riflescope came with screw- on adjustment covers, install them before flushing with water. Wipe the outside metal surfaces dry with a soft cloth then proceed to the step below.

Cleaning Lenses

We recommend using a Nightforce cleaning kit A130 to care for the lenses on your riflescope. The kit contains an ultrasoft brush, microfiber cloth and cleaning solution.

With the lens facing down to allow the debris to fall away from the surface, remove loose dirt and dust with compressed air and/or a lens brush. Do NOT

use high-pressure compressed air from cans (such as found in office supply stores). They can, and have, been known to destroy lens coatings. If there is grit stuck to the lens that won't come off with the compressed air or a brush, flushing the surface with alcohol or distilled water will prevent that grit from being rubbed into the glass by the cleaning swabs.

Using a soft, clean, lint-free cotton swab or lens cleaning cloth, and lens cleaning fluid applied to the swab, clean the lens starting in the center, working to the outside in a circular motion. Make only one pass to the edge where the glass meets the metal. Once you reach the edge of the lens, do not re-use that swab as it will often contain abrasive grit that will scratch the surface. Start over in the center with a new swab and repeat the process until the glass is clean. Use a very small amount of cleaning solution for the last pass to prevent streaks.

Long Term Storage

If the riflescope will not be used for an extended period, remove the battery and store it separately. Keep the riflescope in a cool, dry, dust-free location.

For a list of frequently asked questions, video instruction, information on service and on Nightforce accessories, visit www.NightforceOptics.com.

Online warranty registration:

Visit www.NightforceOptics.com/WarrantyRegistration to activate your warranty, register for Nightforce gear and to receive updates and future product support.



We are proud to back up Nightforce ATACR™, B.E.A.S.T.™, Benchrest, Competition™ and NXS™ riflescopes with a transferable Limited Lifetime Warranty which covers mechanical defects in materials and workmanship in the optical and mechanical components of the riflescope. In the event of a defect in materials or workmanship that is covered by this warranty, we will either repair the riflescope or replace it at no charge, with a comparable product at our discretion.

Exclusions to this warranty include intentional or accidental damage, abuse, misuse, unauthorized modifications or repairs, and improper mounting. This warranty does not cover any consequential or incidental damages resulting from the inability to use the riflescope. Any serial number obliteration or alteration on the product will void the warranty.

To ensure warranty coverage, please register online or fill out completely and mail in the provided warranty card found in the back of the owner's manual, along with a copy of the sales receipt. The warranty begins on the date the product was purchased by the original owner. The optical and mechanical components are covered without time limitations. The electronic components are covered for a period of three years.

This warranty gives you specific legal rights, and you may also have other rights which vary from state to state. Some states do not allow the exclusion or limitation of incidental or consequential damages, so the above limitations or exclusions may

not apply to you. Some states do not allow limitations on how long an implied warranty lasts, so the above limitations may not apply to you.

Before sending a riflescope in for service, please call Nightforce Optics, Inc. at the number below, to determine if the problem can be resolved without sending us the product. All returns must be accompanied by a Return Merchandise Authorization (RMA) number. Failure to do so can result in lost merchandise and/or severely delayed service time.

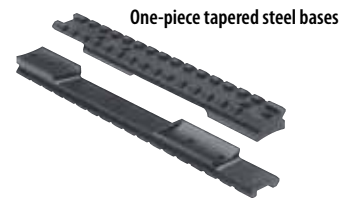
- Remove any mounting rings or accessories other than dust covers and the original sunshade.
- Record and keep on hand the serial number.
- Include with the riflescope a detailed description of the defect(s), the RMA number, your name, phone number and the address you wish the riflescope returned to.
- Place the boxed or protectively wrapped riflescope in a well-padded outer box insured for replacement value and send it shipping prepaid, to the address below. **Write the RMA number on the outside of the package.**

U.S.A. & Canada:
Nightforce Optics, Inc.
Attention: Service Dept.
336 Hazen Lane
Orofino, Idaho 83544
tel 208.476.9814
fax 208.476.9817
www.NightforceOptics.com

International:
In order to ensure that the various legal export and import requirements are met, for compliance purposes, please call Nightforce Optics, Inc. for product return instructions. Requirements vary from country to country.
tel +1.208.476.9814
fax +1.208.476.9817

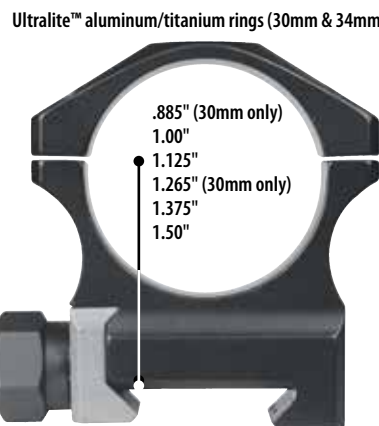
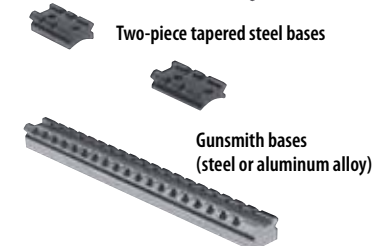
Be sure to register your warranty at www.NightforceOptics.com/WarrantyRegistration

Nightforce accessories



About the only way to improve on a Nightforce riflescope is with genuine Nightforce accessories. Our Ultralite™ rings, Unimount™, and MagMount™, for example, provide the performance of steel at half the weight. They are precisely machined, and combined with a Nightforce riflescope, give you the most effective, reliable investment in precision shooting possible.

Visit www.NightforceOptics.com for complete information.



Please detach here

Nightforce Warranty Registration Card

Activate your warranty at www.NightforceOptics.com/WarrantyRegistration and be eligible for product support, updates and additional Nightforce gear. If you do not have Internet access, please tear out, fill in and return this product registration card within 30 days of purchase. Return to the address below along with a copy of your purchase receipt. We retain this card for warranty eligibility.

Name: _____

Address: _____

City: _____ State: _____ Zip: _____

Phone No.: _____ Email: _____

Model: _____ Serial No.: _____

Date of Purchase: _____ Purchased From: _____

Please take a moment to provide your comments on the following page.

To locate your serial number:

NXS™ Compact: On the top of the tube body, in front of the elevation adjustment.

ATACR™, Benchrest and Competition™ B.E.A.S.T.™, NXS™ F1 and NXS™ 15x, 22x, 32x, 42x, scopes: On the bottom of the tube body in front of the power change ring.

If you have already mounted the riflescope and cannot find the serial number, it is probably covered by the scope rings.

Attach a copy of your receipt and send to: **Nightforce Optics, Inc.**
336 Hazen Lane
Orofino, Idaho 83544

Register online at
www.NightforceOptics.com/WarrantyRegistration

Nightforce Owner's Comments

Your feedback and suggestions will help us maintain the high level of quality and customer service Nightforce owners have come to expect. We encourage your input.

What changes or modifications would you recommend be made to improve this product? _____

What new products would you like to see offered by us? _____

What hunting/shooting magazines do you normally read? _____

What hunting/shooting television programs do you like to watch? _____

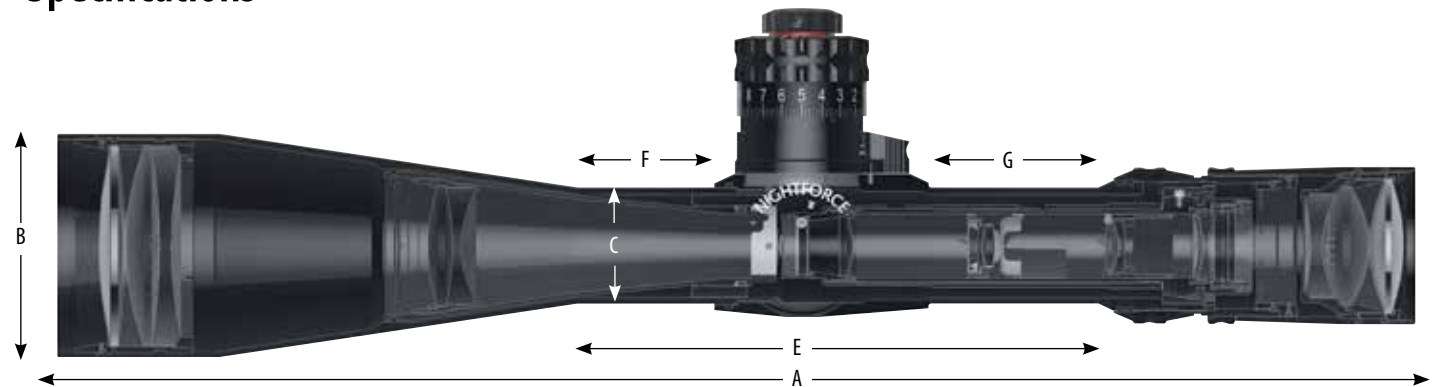
What are your favorite Internet forums and firearm, shooting and/or hunting websites? _____

How did you hear about Nightforce products? _____

Are you a member of a local rifle shooting club or range? Yes No Do you participate in any of the following competitive shooting events?
If so, please check the appropriate box: Long-range benchrest Short-range benchrest F-Class Precision tactical 3-Gun Tactical
 Other (please explain) _____

Do you travel to participate in competitive shooting events? Yes No If so, how far do you typically travel? ___Miles ___Hours

Specifications



Please detach here

	Inches	Millimeters		
A. Overall length	15.37	390	Exit pupil diameter	5x: 8.3 mm 25x: 2.3 mm
B. Objective outer diameter	2.56	65	Field of view@100 yards/meters	5x: 18.7 ft 25x: 4.92 ft
C. Tube diameter	1.34	34		5x: 5.7 m 25x: 1.45 m
D. Eyepiece outer diameter	1.81	46	Eye relief	85-90 mm/3.35-3.54"
E. Mounting length	5.92	150	Parallax adjustment	45 yd-∞
F. Front mounting length	1.54	39	Weight (ounces/grams)	39/1097 (approx)
G. Rear mounting length	1.93	49	Internal adjustment range	e: 120 MOA w: 80 MOA e: 34.9 Mil w: 23.27 Mil
			Click value	.50 and .250 MOA .2 and .1 Mil-Rad



A reticle for every reason.

Nightforce offers the most extensive selection of proprietary reticles on the market. We make highly precise MOA- and MIL-based designs, fast and accurate reticles for big game hunting, and our unique Velocity™ reticles tailored to the ballistic profile of your rifle.

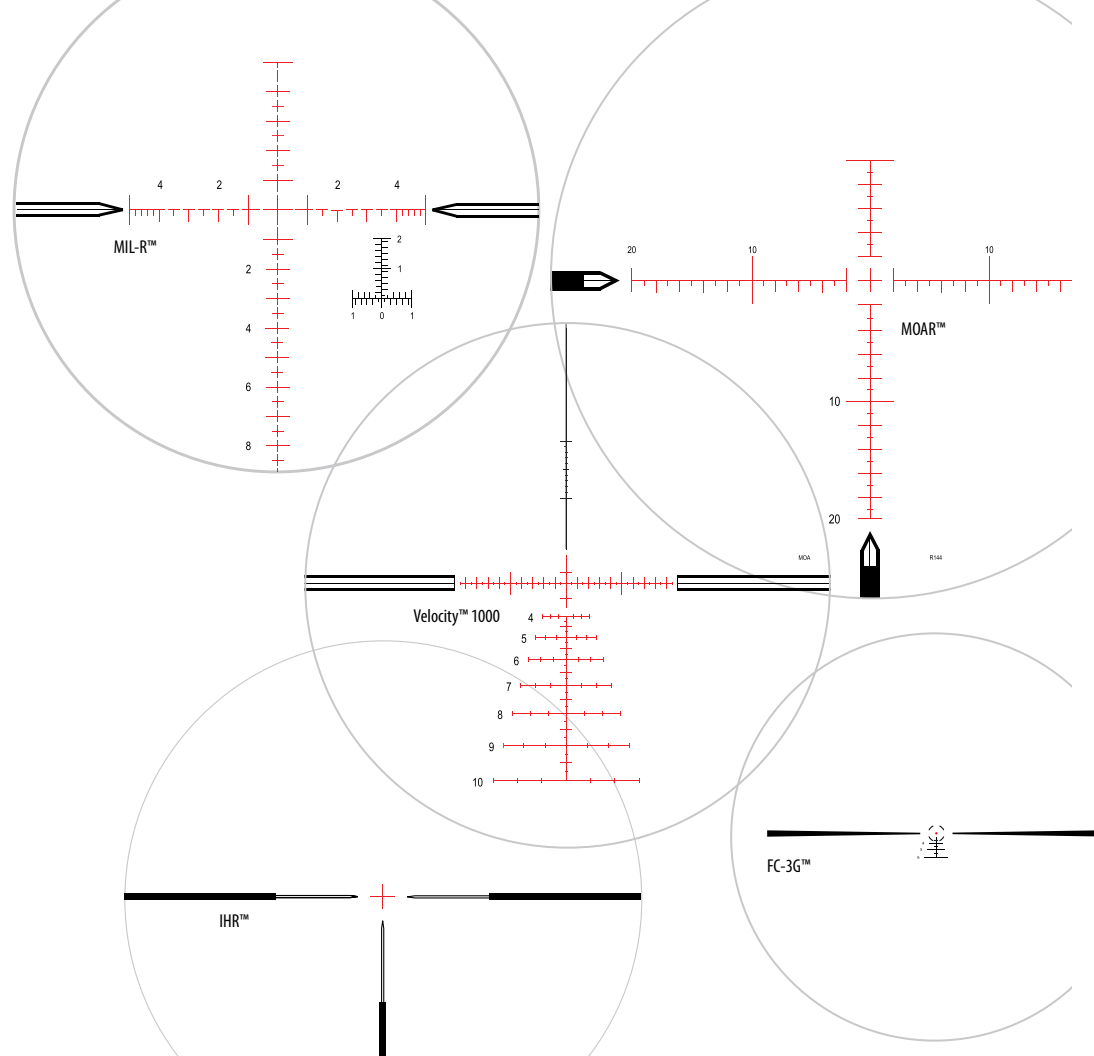
We can generally retrofit a newer reticle to an older Nightforce riflescope (assuming it is offered in the same model riflescope that you own).

The clarity, resolution, brilliance and ruggedness of a Nightforce riflescope is only part of the accuracy equation. A reticle created for ultimate performance in your chosen application is the other essential component.

We have a reticle for every reason. And every season.



Visit www.NightforceOptics.com to learn more.



We'd like you to meet our sister.

For over 25 years, our sister company, Lightforce Performance Lighting, has been building some of the highest quality, most robust and brilliant hand-held sporting and driving lights in the world.

Lightforce is headquartered in Australia, where the demand for sporting and off-road driving lights is high, and the conditions they must endure are fierce. The complete Lightforce product line is now available in the United States.

Lightforce shares the same commitment to excellence in performance and design in its lighting systems as does Nightforce with our riflescopes. If you have an interest in lighting your night, we invite you to spend some time at www.Lightforce.com and see everything our sister can do. She's extremely bright.

www.Lightforce.com



210 Genesis HID

The top performer in the Lightforce Genesis line of driving lights, now available with 35W and 50W HID Xenon bulbs. Lightforce HID technology allows a 50W bulb to produce six times the output of a standard 100W halogen lamp, with 50% lower power consumption and less heat—in a compact, lightweight package.

Unlike cheap imports, Lightforce HID lights have low color temperature (well under 5000° Kelvin). Lights of questionable quality can run as high as 7000° K, simply because it's cheaper and easier. The problem is, anything above 5000° produces only glare, not clarity. Lightforce wants you to see the world clearly.



Light 'em up!™



NIGHTFORCE®

10

10

20

MOAR™

10

20

MOA

R144

Factory/Headquarters U.S.A.

Customer Service, Technical & Warranty:

Nightforce Optics, Inc.
336 Hazen Lane
Orofino, ID 83544
tel 208.476.9814 • fax 208.476.9817
info@nightforceoptics.com

U.S.A. and Canada Dealer Sales:

Nightforce Optics, Inc.
2749 Providence Church Road
Lavonia, GA 30553
tel 706.434.8950 • fax 706.449.0930
dealersales@nightforceoptics.com

Military, Government & Law Enforcement:

Nightforce Optics, Inc.
2749 Providence Church Road
Lavonia, GA 30553
tel 706.434.8953 • fax 706.449.0931
militaryinfo@nightforceoptics.com

Europe and International Sales:

Nightforce Optics, Inc.
2749 Providence Church Road
Lavonia, GA 30553
tel 706.434.8952 • fax 706.449.0930
intl@nightforceoptics.com

Australia Sales:

Nightforce Optics
28 Orsmond Street
Hindmarsh, SA 5007
Australia
tel +61 (0)8 8440 0888
fax +61 (0)8 8346 0504

All trademarks, graphics and designs herein are the property of Nightforce Optics, Inc. Product specifications are subject to change without notice. Products may differ in appearance from those shown here; not responsible for typographical errors. Visit www.NightforceOptics.com for current information, tutorials, and video. Nightforce USA, dba Nightforce Optics, Inc.

©Nightforce Optics, Inc. 2013 8/13